



Powered by **EVX series**

**EVX 12520 12V 52AH**



**Valve Regulated Lead Acid Battery**

Maintenance-Free Sealed Lead Acid Battery.

Absorbent Glass Mat (AGM) technology for efficient gas recombination of up to 99%.

**Design for Cyclic Applications**

**【Design Life】**

400 cycles @ 100%DOD at 25°C

1800 cycles @ 30%DOD at 25°C

**【Operating Temperature Range】**

Nominal Operating Temperature : 25°C (77°F)

Discharge : -15°C ~ 50°C (5°F~122°F)

Charge: -15°C ~ 40°C (5°F~104°F)

Storage: -15°C ~ 40°C (5°F~104°F)

**【Equalization Charging Voltage】**

14.4 ~ 15.0 VDC/Unit at 25°C (77°F)

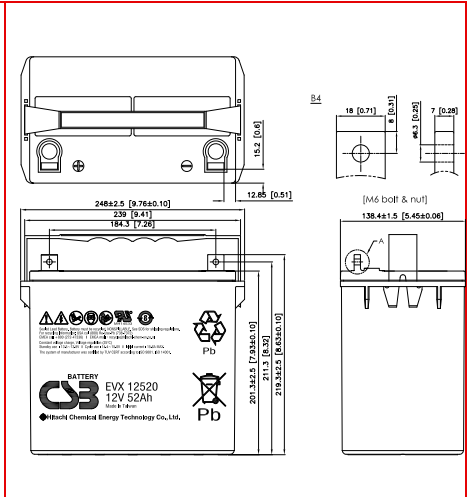
**【Self Discharge】**

Less than 10% after 90 days, can be stored up to 6 months at 25°C (77°F);

Fully recharging is required before usage, and charged sooner if stored at higher temperature than 25°C (77°F).

**Specification**

Nominal Voltage	12V (6 cells per unit)		
Nominal Capacity	52 AH @20HR-rate to 1.75V per cell @25°C (77°F)		
Weight	Approx. 18.30 Kg (40.30 lbs)		
Maximum Discharge Current	500A (5sec)		
Internal Resistance	Approx. 5.2 mΩ		
Short Circuit Current	--		
Maximum Charge Current	15.60A		
Terminal types	B4 terminal to accept M6 bolt		
Terminal Breaking Torque	138.6 Kgf-cm / 120.3 lbf-in / 13.58 N-m		
Container Material	PP (UL 94-HB)		
Dimensions	Length (L)	248.0±2.5 mm	9.76±0.10 inch
	Width (W)	138.4±1.5 mm	5.45±0.06 inch
	Container Height (h)	201.3±2.5 mm	7.93±0.10 inch
	Overall Height (H)	219.3±2.5 mm	8.63±0.10 inch



**Constant Current Discharge Characteristics Unit: A (25°C, 77°F)**

F.V/Time	30MIN	45MIN	60MIN	90MIN	2HR	3HR	4HR	5HR	6HR	8HR	10HR	20HR
1.60V	64.9	46.6	36.8	27.0	21.0	14.8	11.7	9.60	8.30	6.60	5.42	2.84
1.67V	63.5	45.9	36.4	26.8	20.8	14.6	11.6	9.52	8.22	6.52	5.36	2.80
1.70V	62.1	45.0	35.8	26.5	20.6	14.5	11.5	9.45	8.15	6.45	5.29	2.76
1.75V	60.6	44.1	35.2	26.1	20.3	14.3	11.4	9.37	8.05	6.34	5.21	2.72
1.80V	59.2	43.3	34.7	25.6	20.1	14.2	11.3	9.26	7.94	6.22	5.12	2.68
1.85V	57.8	42.5	34.2	25.1	19.9	14.1	11.2	9.16	7.83	6.11	5.03	2.62

**Constant Power Discharge Characteristics Unit: W (25°C, 77°F)**

F.V/Time	30MIN	45MIN	60MIN	90MIN	2HR	3HR	4HR	5HR	6HR	8HR	10HR	20HR
1.60V	668	485	386	284	221	154	124	102	88.6	70.9	58.7	33.6
1.67V	656	478	382	281	219	153	123	101	87.7	70.2	58.1	33.1
1.70V	645	472	378	277	217	152	122	100	86.8	69.4	57.4	32.5
1.75V	631	463	372	273	214	151	121	99.0	85.9	68.6	56.7	31.8
1.80V	615	455	368	269	212	150	120	98.1	84.9	67.6	55.8	31.1
1.85V	598	447	363	264	209	149	119	97.0	83.6	66.1	54.8	30.4

Please refer to the official site for the latest rating confirmation. URL: [www.csb-battery.com](http://www.csb-battery.com)

Issued: 180205

**Sales Offices**

**日立化成能源科技股份有限公司**  
Hitachi Chemical Energy Technology Co., Ltd.

**BUSINESS HEADQUARTERS**

Tel: +886-2-2880-5600

Fax: +886-2-2888-3300

**USA OFFICE**

Tel: +1-817-244-7777 / 1-(800)3-CSB-USA (272872)

Fax: +1-817-244-4445

**SHENZHEN OFFICE (CHINA)**

Tel: +86-755-8831-6488, 8831-6775

Fax: +86-755-8831-6075

**EUROPE (EMEA) OFFICE**

Tel: +31(0)180-418-140

Fax: +31(0)180-418-327

**SHANGHAI OFFICE (CHINA)**

Tel: +86-21-5046-1622, 5046-0833

Fax: +86-21-5046-1046

**TAIPEI OFFICE**

Tel: +886-2-2880-5600

Fax: +866-2-2888-3300

**BEIJING OFFICE (CHINA)**

Tel: +86-10-5820-5336, 5820-5338

Fax: +86-10-5820-3053

Recognized under UL 1989,  
and certified by ISO 9001, 14001.

